



**Consumer  
Copy**

***FTS83500***

Thank you for purchasing your New Dirt Logic 4.0 Coil-over Shock, we hope that you enjoy using it as much as we did building it. Each Dirt Logic shock is built to exacting standards and is properly tuned for your vehicle in order to optimize your ride. Remember that each Dirt Logic shock is designed and built to both beautify and upgrade your vehicle so special care should be taken when installing and cleaning your new Dirt Logic shock. Before installing this shock make sure to follow the instructions supplied with the Fabtech Performance Suspension system you purchased. Take every effort to ensure proper lubrication and hardware is used when installing as per the supplied Fabtech Instructions.

This Dirt Logic Shock is shipped pressurized with Nitrogen. Do not use any other gas for pressurization. Pay careful attention not to discharge this shock without proper tools and training. Do not use any heavy degreaser or other acidic cleaner on any part of this shock. If this shock is equipped with a coil, be aware that the coil has some amount of preload from the factory and should not be removed without proper tools and training. If this shock is equipped with a reservoir hose, do not loosen or remove hose without following proper direction and training and using proper tools.

***Dirt Logic 4.0 Coil-over Shock Installation Instructions:***

Once you have successfully installed the Fabtech Coil-over conversion kit, Locate one of the Dirt Logic 4.0 Coil-Over 6" or 8" shocks. Insert one of the supplied FT83034 mis-alignment spacers to each side of the top cap spherical bearing. Next locate the supplied FT1040 and FT1041 Delrin bushings and place the one with the larger inner ring on the side of the bearing without the snap ring and the one with the smaller inner ring on the side with the snap ring. Insert the top of the coil over into the coil over hoop making sure that the reservoir is towards the back of the vehicle. Using the supplied 5/8" x 3.5" bolt and washers and FT30183 nut tab connect the coil over to the hoop. Torque bolt to 230Lbs/ft. SEE DIAGRAM ON LAST PAGE.

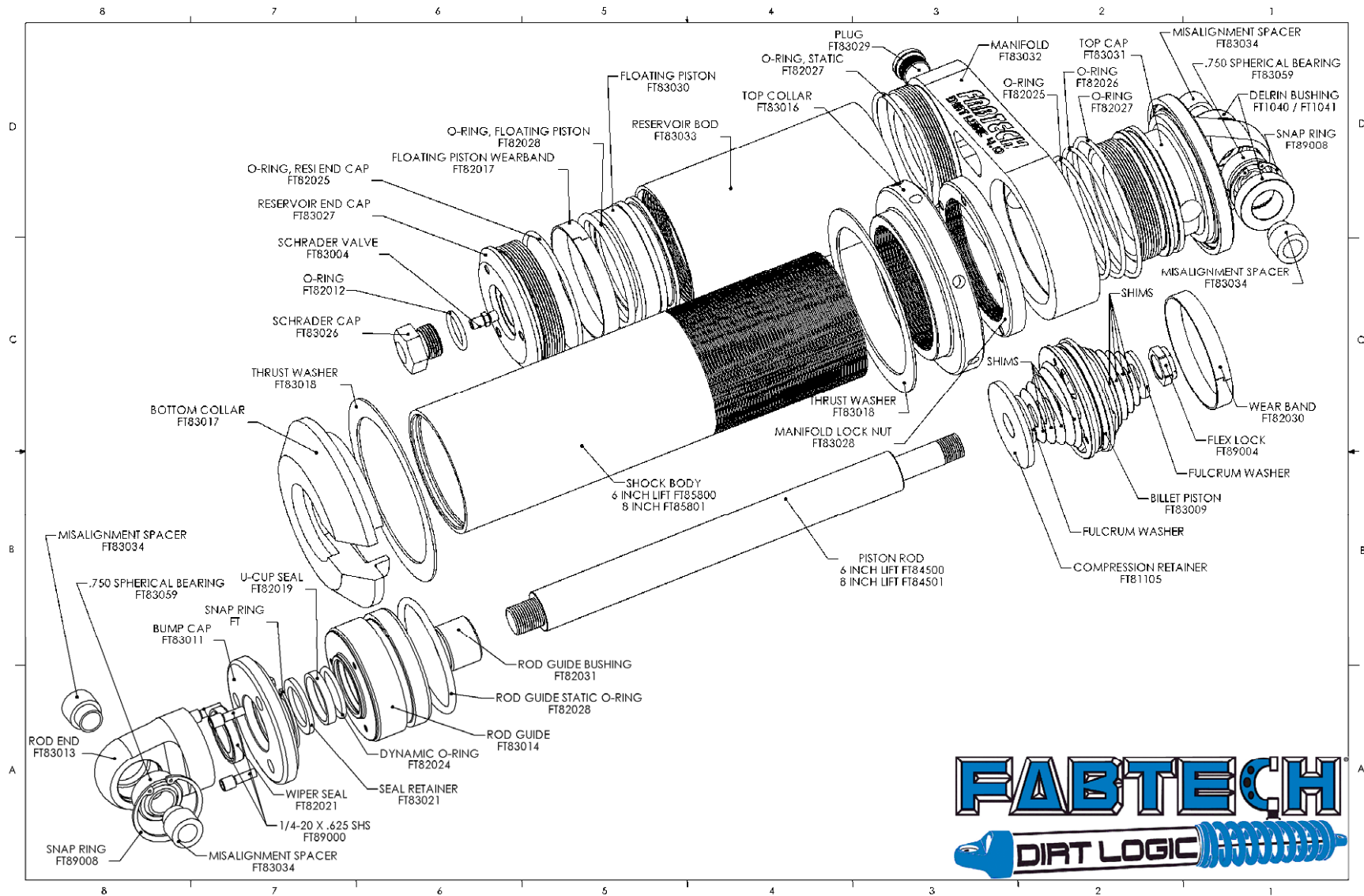
Locate the last two FT83034 mis-alignment spacers and insert them into the bearing on the bottom of the shock. Using the supplied 5/8" x 3.5" bolt, nut, and washer attach it to the lower mount on the axle. Torque bolt to 230Lbs/ft. SEE DIAGRAM ON LAST PAGE.

***Adjusting Ride Height***

With the vehicle weight supported off the ground, adjust the ride height by using the spanner wrench (part # FT89005) supplied in the Fabtech Coil-Over Conversion Kit. Turn the upper spring adjuster (part # FT83031) from right to left to raise the vehicle. Take care not to raise the vehicle higher than the designed lift as this will cause a decrease in the vehicle performance and ride quality. In the hardware kit you will find a 3/8-16 X .750 Nylon Tipped Stainless Steel Socket Set Screw, install this set screw into the upper spring adjuster and with a 3/16" Allen tighten the set screw to 5lbs/ft of torque to keep the upper spring adjuster from spinning and changing the ride the height of the vehicle.

***Rebuild Part #'s***

FTS86154      4.0 Piggyback Reservoir Shock Rebuild Kit



**RETORQUE ALL NUTS, BOLTS AND LUGS AFTER 50 MILES AND PERIODICALLY THEREAFTER.**

*Product Warranty and Warnings-*

Fabtech provides a Limited Lifetime Warranty to the original retail purchaser who owns the vehicle, on which the product was originally installed, for defects in workmanship and materials.

The Limited Lifetime Warranty excludes the following Fabtech items; bushings, bump stops, ball joints, tie rod ends, limiting straps, cross shafts, heim joints. These parts are subject to wear and are not considered defective when worn. They are warranted for 60 days from the date of purchase for defects in workmanship.

Take apart shocks are considered a serviceable shock with a one-year warranty on leakage only. Service seal kits are available separately for future maintenance. All other shocks are covered under our Limited Lifetime Warranty.

Fabtech does not warrant any product for finish, alterations, modifications and/or installation contrary to Fabtech's instructions. Alterations to the finish of the parts including but not limited to painting, powdercoating, plating and/or welding will void all warranties. Some finish damage may occur to parts during shipping, which is considered normal and is not covered under warranty.

Fabtech products are not designed nor intended to be installed on vehicles used in race applications or for racing purposes or for similar activities. (A "RACE" is defined as any contest between two or more vehicles, or any contest of one or more vehicle against the clock, whether or not such contest is for a prize). This warranty does not include coverage for police or taxi vehicles, race vehicles, or vehicles used for government or commercial purposes. Also excluded from this warranty are sales outside of the United States of America.

Installation of most suspension products will raise the center of gravity of the vehicle and will cause the vehicle to handle differently than stock. It may increase the vehicle's susceptibility to a rollover, on road and off road, at all speeds. Extreme care should be taken to operate the vehicle safely at all times to prevent rollover or loss of control resulting in serious injury or death. Fabtech front end Desert Guards may impair the deployment or operation of vehicles equipped with supplemental restraining systems/air bag systems and should not be installed if the vehicle is equipped as so.

Fabtech makes every effort to ensure suspension product compatibility with all vehicles listed in the catalog, but due to unknown auto manufacturers production changes and/or inconsistencies by the auto manufacturer, Fabtech cannot be responsible for 100% compatibility, including the fitment of tire and wheel sizes listed. The Tire and Wheel sizes listed in Fabtech's catalog are only a guideline for street driving with noted fender trimming. Fabtech is not responsible for damages to the vehicle's body or tires.

Fabtech's obligation under this warranty is limited to the repair or replacement, at Fabtech option, of the defective product only. All costs of removal, installation or re-installation, freight charges, incidental or consequential damages are expressly excluded from this warranty. Fabtech is not responsible for damages and/or warranty of other vehicle parts related or non-related to the installed Fabtech product. This warranty is expressly in lieu of all other warranties expressed or implied. This warranty shall not apply to any product that has been subject to accident, negligence, alteration, abuse or misuse as determined by Fabtech.

Fabtech suspension components must be installed as a complete system including shocks as shown in our current catalog. All warranties will become void if Fabtech parts are combined and/or substituted with other aftermarket suspension products. Combination and/or substitution of other aftermarket suspension parts may cause premature wear and/or product failure resulting in an accident causing injury or death. Fabtech does not warrant products not manufactured by Fabtech.

Installation of Fabtech product may void the vehicles factory warranty; it is the consumer's responsibility to check with their local vehicle's dealer for warranty disposition before the installation of the product.

It is the responsibility of the distributor and/or the retailer to review all warranties and warnings of Fabtech products with the consumer prior to purchase.

Fabtech reserves the right to supersede, discontinue, change the design, finish, part number and, or application of parts when deemed necessary without written notice. Fabtech is not responsible for misprints or typographical errors within the catalog or price sheet.

06/06/08go

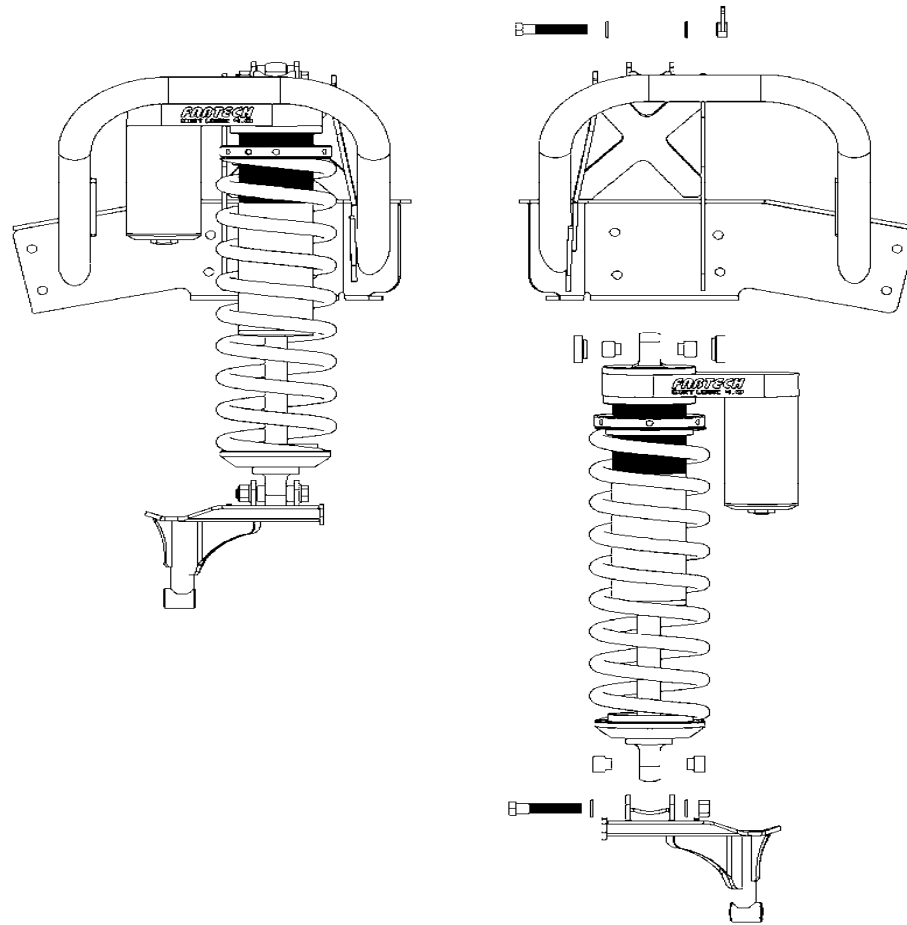
**Items Included with this product.**

1-FTS83500 4.0 Shock

1-FT83500I Instruction Sheet

1-FT86002 Bushing Hardware Kit 2

1-FT89900 Sticker



Passenger Side

Driver Side



# ***Installer Copy***

## ***FTS83500***

Thank you for purchasing your New Dirt Logic 4.0 Coil-over Shock, we hope that you enjoy using it as much as we did building it. Each Dirt Logic shock is built to exacting standards and is properly tuned for your vehicle in order to optimize your ride. Remember that each Dirt Logic shock is designed and built to both beautify and upgrade your vehicle so special care should be taken when installing and cleaning your new Dirt Logic shock. Before installing this shock make sure to follow the instructions supplied with the Fabtech Performance Suspension system you purchased. Take every effort to ensure proper lubrication and hardware is used when installing as per the supplied Fabtech Instructions.

This Dirt Logic Shock is shipped pressurized with Nitrogen. Do not use any other gas for pressurization. Pay careful attention not to discharge this shock without proper tools and training. Do not use any heavy degreaser or other acidic cleaner on any part of this shock. If this shock is equipped with a coil, be aware that the coil has some amount of preload from the factory and should not be removed without proper tools and training. If this shock is equipped with a reservoir hose, do not loosen or remove hose without following proper direction and training and using proper tools.

### ***Dirt Logic 4.0 Coil-over Shock Installation Instructions:***

Once you have successfully installed the Fabtech Coil-over conversion kit # FTS22052BK Locate one of the Dirt Logic 4.0 Coil-Over 6" or 8" shocks. Insert one of the supplied FT83034 mis-alignment spacers to each side of the top cap spherical bearing. Next locate the supplied FT1040 and FT1041 Delrin bushings and place the one with the larger inner ring on the side of the bearing without the snap ring and the one with the smaller inner ring on the side with the snap ring. Insert the top of the coil over into the coil over hoop making sure that the reservoir is towards the back of the vehicle. Using the supplied 5/8" x 3.5" bolt and washers and FT30183 nut tab connect the coil over to the hoop. Torque bolt to 230Lbs/ft. SEE DIAGRAM ON LAST PAGE.

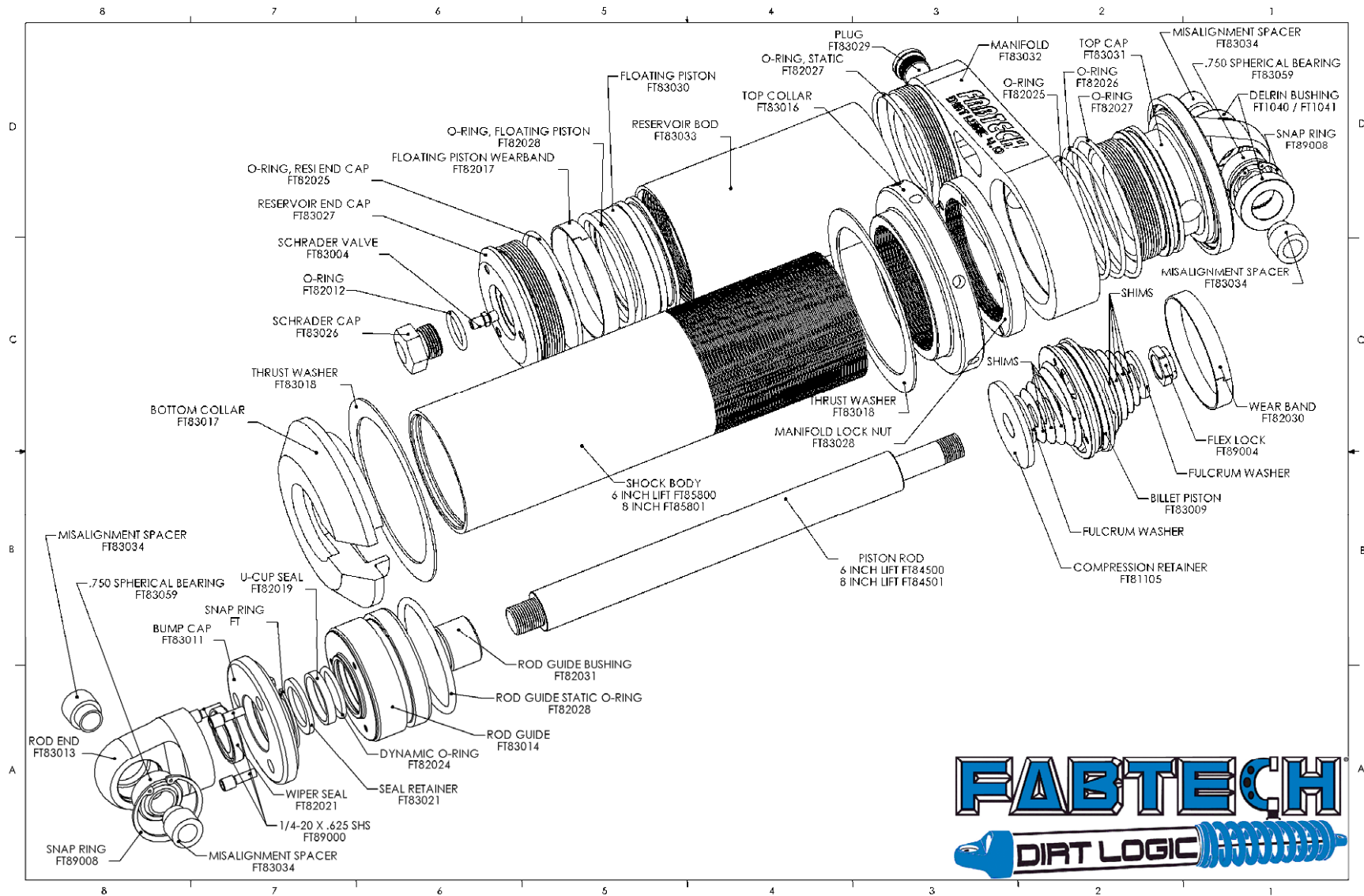
Locate the last two FT83034 mis-alignment spacers and insert them into the bearing on the bottom of the shock. Using the supplied 5/8" x 3.5" bolt, nut, and washer attach it to the lower mount on the axle. Torque bolt to 230Lbs/ft. SEE DIAGRAM ON LAST PAGE.

### ***Adjusting Ride Height***

With the vehicle weight supported off the ground, adjust the ride height by using the spanner wrench (part # FT89005) supplied in the Fabtech Coil-Over Conversion Kit. Turn the upper spring adjuster (part # FT83031) from right to left to raise the vehicle. Take care not to raise the vehicle higher than the designed lift as this will cause a decrease in the vehicle performance and ride quality. In the hardware kit you will find a 3/8-16 X .750 Nylon Tipped Stainless Steel Socket Set Screw, install this set screw into the upper spring adjuster and with a 3/16" Allen tighten the set screw to 5lbs/ft of torque to keep the upper spring adjuster from spinning and changing the ride the height of the vehicle.

### ***Rebuild Part #'s***

FTS86154      4.0 Piggyback Reservoir Shock Rebuild Kit



**RETORQUE ALL NUTS, BOLTS AND LUGS AFTER 50 MILES AND PERIODICALLY THEREAFTER.**

*Product Warranty and Warnings-*

Fabtech provides a Limited Lifetime Warranty to the original retail purchaser who owns the vehicle, on which the product was originally installed, for defects in workmanship and materials.

The Limited Lifetime Warranty excludes the following Fabtech items; bushings, bump stops, ball joints, tie rod ends, limiting straps, cross shafts, heim joints. These parts are subject to wear and are not considered defective when worn. They are warranted for 60 days from the date of purchase for defects in workmanship.

Take apart shocks are considered a serviceable shock with a one-year warranty on leakage only. Service seal kits are available separately for future maintenance. All other shocks are covered under our Limited Lifetime Warranty.

Fabtech does not warrant any product for finish, alterations, modifications and/or installation contrary to Fabtech's instructions. Alterations to the finish of the parts including but not limited to painting, powdercoating, plating and/or welding will void all warranties. Some finish damage may occur to parts during shipping, which is considered normal and is not covered under warranty.

Fabtech products are not designed nor intended to be installed on vehicles used in race applications or for racing purposes or for similar activities. (A "RACE" is defined as any contest between two or more vehicles, or any contest of one or more vehicle against the clock, whether or not such contest is for a prize). This warranty does not include coverage for police or taxi vehicles, race vehicles, or vehicles used for government or commercial purposes. Also excluded from this warranty are sales outside of the United States of America.

Installation of most suspension products will raise the center of gravity of the vehicle and will cause the vehicle to handle differently than stock. It may increase the vehicle's susceptibility to a rollover, on road and off road, at all speeds. Extreme care should be taken to operate the vehicle safely at all times to prevent rollover or loss of control resulting in serious injury or death. Fabtech front end Desert Guards may impair the deployment or operation of vehicles equipped with supplemental restraining systems/air bag systems and should not be installed if the vehicle is equipped as so.

Fabtech makes every effort to ensure suspension product compatibility with all vehicles listed in the catalog, but due to unknown auto manufacturers production changes and/or inconstancies by the auto manufacturer, Fabtech cannot be responsible for 100% compatibility, including the fitment of tire and wheel sizes listed. The Tire and Wheel sizes listed in Fabtech's catalog are only a guideline for street driving with noted fender trimming. Fabtech is not responsible for damages to the vehicle's body or tires.

Fabtech's obligation under this warranty is limited to the repair or replacement, at Fabtech option, of the defective product only. All costs of removal, installation or re-installation, freight charges, incidental or consequential damages are expressly excluded from this warranty. Fabtech is not responsible for damages and/or warranty of other vehicle parts related or non-related to the installed Fabtech product. This warranty is expressly in lieu of all other warranties expressed or implied. This warranty shall not apply to any product that has been subject to accident, negligence, alteration, abuse or misuse as determined by Fabtech.

Fabtech suspension components must be installed as a complete system including shocks as shown in our current catalog. All warranties will become void if Fabtech parts are combined and/or substituted with other aftermarket suspension products. Combination and/or substitution of other aftermarket suspension parts may cause premature wear and/or product failure resulting in an accident causing injury or death. Fabtech does not warrant products not manufactured by Fabtech.

Installation of Fabtech product may void the vehicles factory warranty; it is the consumer's responsibility to check with their local vehicle's dealer for warranty disposition before the installation of the product.

It is the responsibility of the distributor and/or the retailer to review all warranties and warnings of Fabtech products with the consumer prior to purchase.

Fabtech reserves the right to supersede, discontinue, change the design, finish, part number and, or application of parts when deemed necessary without written notice. Fabtech is not responsible for misprints or typographical errors within the catalog or price sheet.

06/06/08go

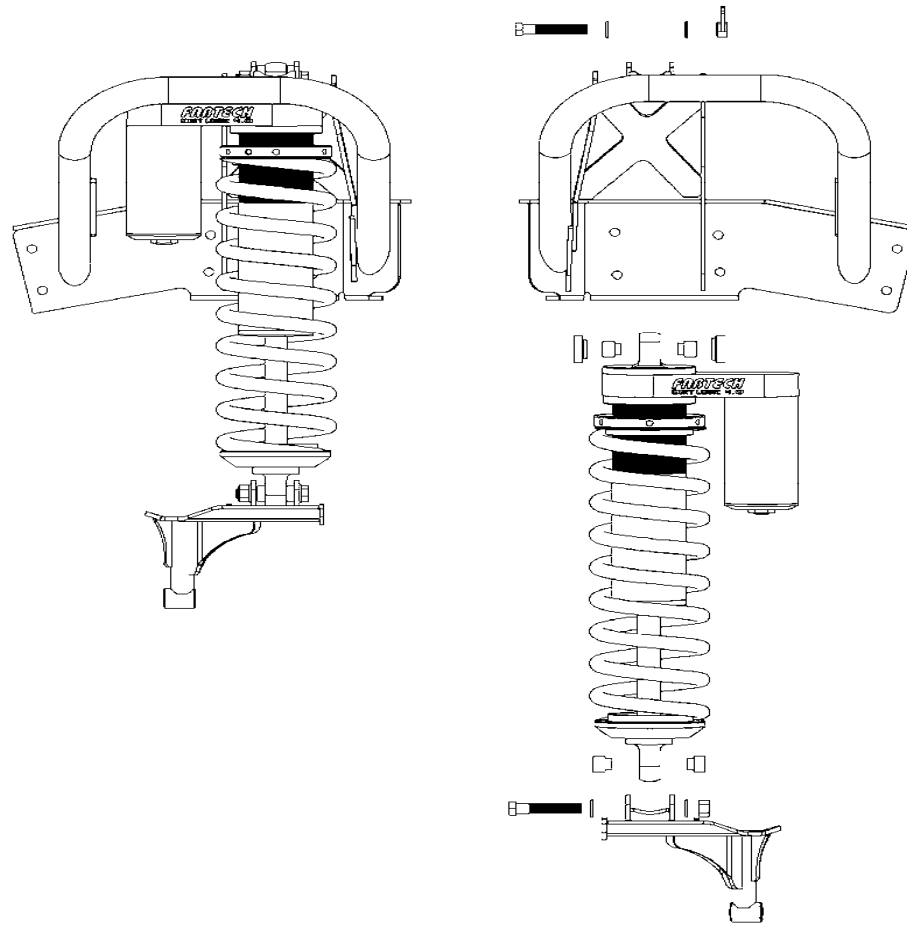
**Items Included with this product.**

1-FTS83500 4.0 Shock

1-FT83500I Instruction Sheet

1-FT86002 Bushing Hardware Kit 2

1-FT89900 Sticker



Passenger Side

Driver Side