

## INSTALLATION INSTRUCTIONS

# 2019-2023 GM 1500 6" ARC SHOCK EXTENSION KIT FTS21265

**NOTE:** TO ORDER WEARABLE REPLACEMENT COMPONENTS DO NOT USE PART NUMBERS SHOWN ON THIS INSTRUCTION SHEET. GO TO FABTECH WEBSITE AND LOOK UP WEARABLE REPLACEMENT PARTS TO FIND THE PROPER PART NUMBER TO ORDER.

**Fabtech Motorsports** | 2213 Industrial Park Rd. Lancaster, SC 29720

**Tech Line:** 909-597-7800 | **Web:** [www.fabtechmotorsports.com](http://www.fabtechmotorsports.com)

<b>FTS21265</b>		<b>6" SHOCK EXT KIT - ARC</b>
4	FT20877	SHOCK BODY BRACKET
2	FT20881	SHOCK EXTENSION - ARC
2	FT20891	SHOCK MOUNT TO ARM
2	FT20872	BOTTOM PLATE
1	FT20886	HARDWARE SUBASSEMBLY
2	FT20690BK	REAR SHOCK EXT BRACKET

<b>FT20886</b>		<b>HARDWARE SUBASSEMBLY</b>
4	FT1036	BUSHING HALF
2	FT148	SLEEVE 1.250 X .530 X 2.400
4	FT20871	ALUMINUM SHOCK MOUNT BUSHING
1	FT20885	HARDWARE KIT
1	FTLUBE	GREASE PACKET

<b>FT20885 - HARDWARE KIT</b>		<b>LOCATION</b>
4	7/16-14 X 2-1/2" HEX BOLT	STRUT/ ARM
4	7/16-14 X 1-1/4" HEX BOLT	STRUT BRACKET
8	7/16"-14 C-LOCKS	
16	7/16" SAE FLAT WASHER	
6	1/2"-13 X 3 3/4" HEX CAP BOLTS	FRONT LOWER STRUT
6	1/2"-13 C-LOCKS	
12	1/2" SAE FLAT WASHER	
2	M14-2.0 X 80MM HEX BOLT	REAR SHOCK
4	M14 WASHER	
2	M14-2.0 C-LOCK NUT	
1	THREAD LOCKING COMPOUND	

## - TOOL LIST -

### *Required Tools (Not Included)*

Basic Hand Tools  
Floor Jack  
Jack Stands  
Assorted Metric and S.A.E sockets, and Allen wrenches  
Torque Wrench  
Die Grinder w/ Cutoff Wheel or Sawzall

## - PRE-INSTALLATION NOTES -

For technical assistance call: **909-597-7800** or e-mail: **info@fabtechmotorsports.com**

### *READ THIS BEFORE YOU BEGIN INSTALLATION -*

Check all parts to the parts list above before beginning installation. If any parts are missing contact Fabtech at 909-597-7800 and a replacement part will be sent to you immediately.

Read all instructions thoroughly from start to finish before beginning the installation. If these instructions are not properly followed severe frame, driveline and / or suspension damage may occur.

Check your local city and state laws prior to the installation of this system for legality. Do not install if not legal in your area.

Prior to the installation of this suspension system perform a front end alignment and record. Do not install this system if the vehicle alignment is not within factory specifications. Check for frame and suspension damage prior to installation.

The installation of this suspension system should be performed by two professional mechanics.

Use the provided thread locking compound on all hardware.

**WARNING-** Installation of this system will alter the center of gravity of the vehicle and may increase roll over as compared to stock.

Vehicles that receive oversized tires should check ball joints, uniballs, tie rods ends, pitman arm and idler arm every 2500-5000 miles for wear and replace as needed.

Verify differential fluid is at manufactures recommended level prior to kit installation. Installation of the kit will reposition the differential and the fill plug hole may be in a different position. (For example, if the manufacture recommends 3 quarts of fluid, make sure the diff has 3 quarts of fluid). Check your specific manual for correct amount of fluid.

### *FOOTNOTES -*

- Will not fit models with Factory AutoRide shocks.
- Will not fit all wheel drive models.
- Cannot use OEM wheel and tire.
- Does not fit standard cab.
- Will not fit vehicles equipped with super cruise

# - INSTRUCTIONS -

## FRONT SUSPENSION

1. Remove the nut clips from the bar pin and discard. Using a press, press out the bar pin and the bushing from the bottom of the coilover and discard. **SEE FIGURES 1-3**



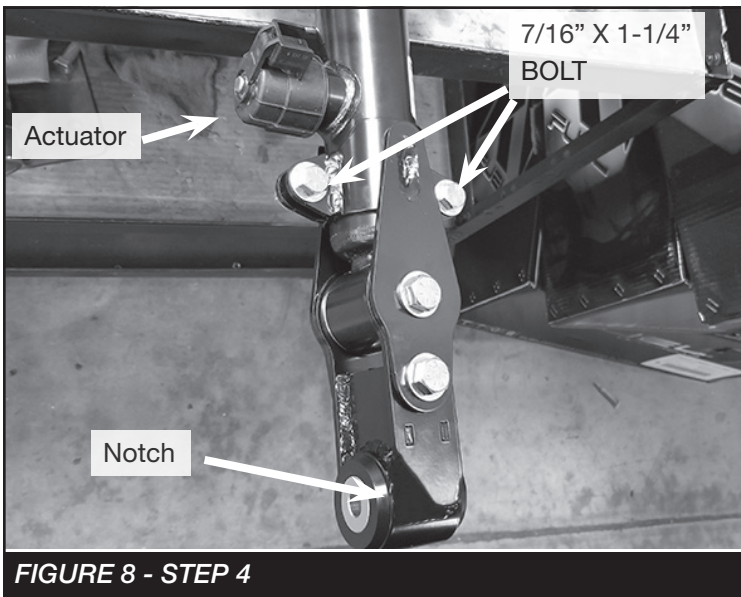
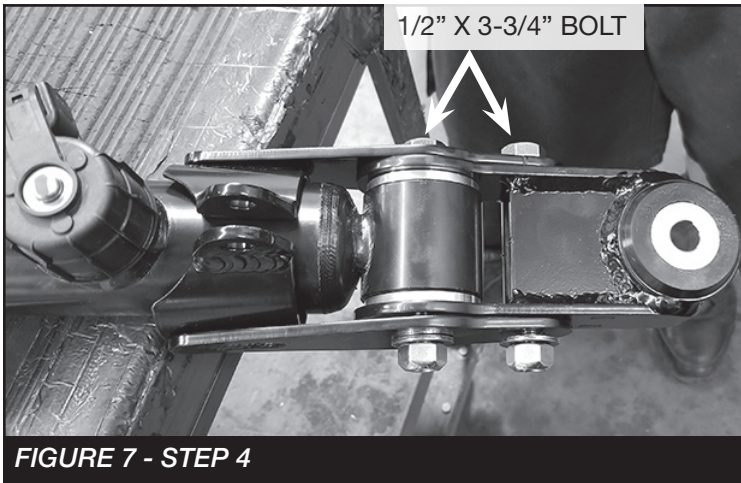
2. Install two FT20871 (Aluminum half bushing) into the factory lower strut. **SEE FIGURES 4-5**



3. Install two FT1036 (Bushings) into FT20881 (ARC Shock extension) using the supplied grease. Then use a press to install the FT148 (Sleeve) into the bushings. **SEE FIGURE 6**



4. **DRIVER SIDE:** Using the supplied 1/2" & 7/16" x 1-1/4" hardware. Install (2) FT20877 (Shock Body Bracket) and FT20881 (ARC Shock Bracket) to the factory strut. **NOTE: THE NOTCH ON THE FT20881 NEEDS TO BE INSTALLED ON THE SAME SIDE AS THE ACTUATOR ON THE FACTORY BODY.** Once installed together torque the 1/2" hardware 106 ft-lbs and 7/16" 70 ft-lbs. **SEE FIGURES 7-9**



5. Install FT20891 (Lower shock mount) & FT20872 (shock mount plate) to the lower control arm using the supplied 7/16" x 2-1/2" bolts and hardware. Torque to 70 ft-lbs. **SEE FIGURES 9-10**



## **- REAR SUSPENSION -**

6. Install the strut assembly to the upper mount using the factory hardware. Then, using a pry tool on the lower end of the strut, rotate the body 90 degrees until the lower mount lines up to the lower control arm mount. **NOTE: The actuator on the body will face towards the CV axle side.** Install the strut to the lower control arm bracket using the supplied 1/2" X 3-3/4" hardware. Torque to 106 ft-lbs. **SEE FIGURE 11**



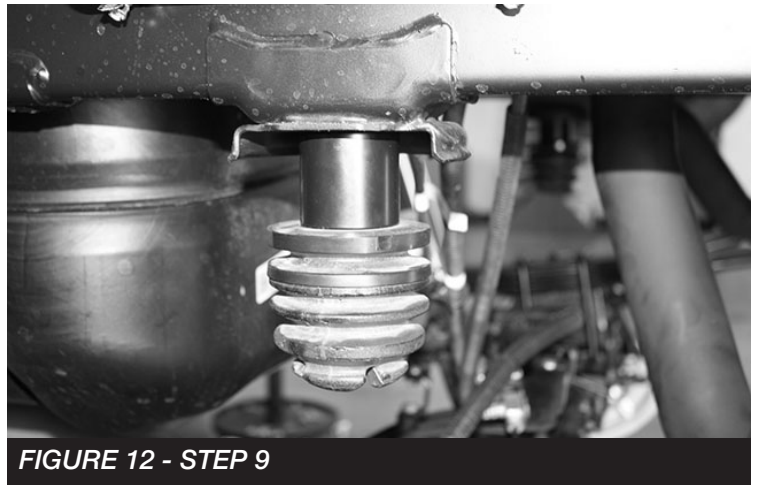
**FIGURE 11 - STEP 6**

7. **PASSENGER SIDE:** Repeat steps 1-6, When mounting the FT20881 (ARC Shock Bracket) the notch side on the bracket will be installed opposite of the actuator on the shock body. When installing the assembly into the vehicle the actuator will be rotated towards the rear of the vehicle ( towards the CV shaft).

- Reattach the plug to the shock body. **NOTE: The harness will have to be detached from the frame in order to reinstall. Secure using cable ties.**

8. Jack up the rear end of the vehicle and support the frame rails with jack stands. Supporting the rear differential, disconnect the rear shocks from the axle side only. Remove and discard ubolts. Disconnect the factory brake line brackets from the top of the diff and save the hardware.

9. Remove the factory bumpstop from the frame and discard the bolt. Install FT20870 (Bumpstop spacer) in between the factory bumpstop and the frame using the supplied M10 x 70mm socket head bolt. Torque to 53 ft-lbs **SEE FIGURE 12**



**FIGURE 12 - STEP 9**

10. Install FTBK5 (5" Block), FT1500U-3 (Ubolts) and 9/16" Hardware. Install the blocks with the new hardware, the short end of the block should be facing the front of the vehicle. Torque to 90 ft-lbs. **SEE FIGURE 13**



**FIGURE 13 - STEP 10**

11. **Passenger side:** Remove and save the 3 torx bolts that attach the brake cable cover to the axle. **SEE FIGURE 14**

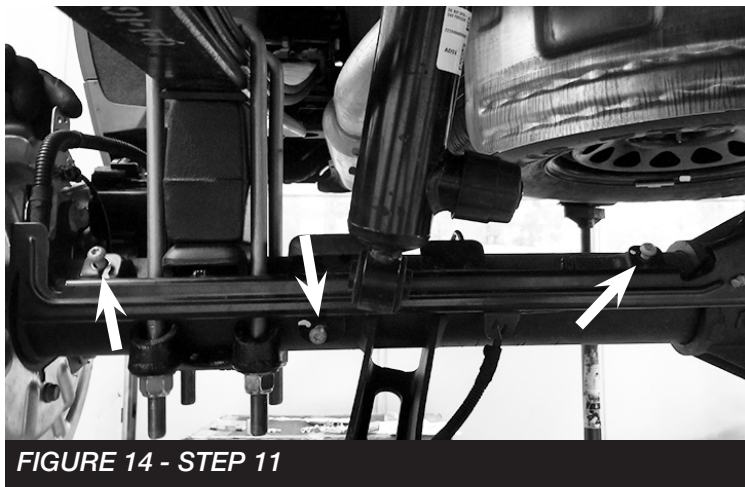


FIGURE 14 - STEP 11

12. Detach the two harness plastic pins on either side of the shock actuator wire that extends from the harness on the inside of the cover then, mount to the top of the cover. Reinstall the three bolts, torque to 11 ft-lbs. **SEE FIGURE 15**

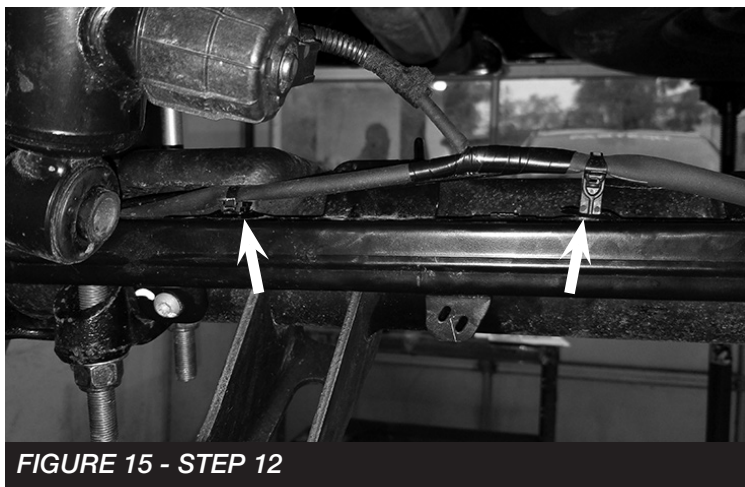


FIGURE 15 - STEP 12

13. Install FT20690BK (Rear shock bracket) to the factory shock using the factory hardware. Torque to 112 ft-lbs. Then, rotate the shock 90 degrees and mount to the factory axle mount using the supplied M14 hardware. Torque to 112 ft-lbs. **SEE FIGURE 16**



FIGURE 16 - STEP 13

14. Install FT20859 & FT20860 (Rear brake line brackets) to the rear diff using the factory hardware. Then install the factory brackets to the new Fabtech brackets using the supplied 1/4" x 1" hardware. Torque all hardware to 12 ft-lbs. **SEE FIGURES 17-18**



FIGURE 17 - STEP 14



FIGURE 18 - STEP 14

15. Install tires and wheels and torque lug nuts to wheel manufacturer's specifications. Turn front tires left to right and check for appropriate tire clearance. **Note - Some oversized tires may require trimming of the front bumper & valance.**
16. Check front end alignment and set to factory specifications. Readjust headlights.
17. Recheck all bolts for proper torque.

**Vehicles that will receive oversized tires should check ball joints, uniballs and all steering components every 2500-5000 miles for wear and replace as required.**

**RETORQUE ALL NUTS, BOLTS AND LUGS AFTER 50 MILES AND PERIODICALLY THEREAFTER.**

For technical assistance call: **909-597-7800**

## - Product Warranty and Warnings -

Fabtech provides a Limited Lifetime Warranty to the original retail purchaser who owns the vehicle, on which the product was originally installed, for defects in workmanship and materials.

The Limited Lifetime Warranty excludes the following Fabtech items; bushings, bump stops, ball joints, tie rod ends, limiting straps, cross shafts, heim joints and driveshafts. These parts are subject to wear and are not considered defective when worn. They are warranted for 60 days from the date of purchase for defects in workmanship.

Dirt Logic and Performance Coilover take apart shocks are considered a serviceable shock with a one year warranty on leakage only. Service seal kits are available separately for future maintenance. All other shocks are covered under our Limited Lifetime Warranty.

Fabtech does not warrant any product for finish, alterations, modifications and/or installation contrary to Fabtech's instructions. Alterations to the finish of the parts including but not limited to painting, powder coating, plating and/or welding will void all warranties. Some finish damage may occur to parts during shipping, which is considered normal and is not covered under warranty.

Fabtech products are not designed nor intended to be installed on vehicles used in race applications or for racing purposes or for similar activities. (A "RACE" is defined as any contest between two or more vehicles, or any contest of one or more vehicle against the clock, whether or not such contest is for a prize). This warranty does not include coverage for police or taxi vehicles, race vehicles, or vehicles used for government or commercial purposes. Also excluded from this warranty are sales outside of the United States of America.

Installation of most suspension products will raise the center of gravity of the vehicle and will cause the vehicle to handle differently than stock. It may increase the vehicle's susceptibility to a rollover, on road and off road, at all speeds. Extreme care should be taken to operate the vehicle safely at all times to prevent rollover or loss of control resulting in serious injury or death. Fabtech front end Desert Guards may impair the deployment or operation of vehicles equipped with supplemental restraining systems/air bag systems and should not be installed if the vehicle is equipped as so.

Fabtech makes every effort to ensure suspension product compatibility with all vehicles listed on the website, but due to unknown auto manufacturer's production changes and/or inconsistencies by the auto manufacturer, Fabtech cannot be responsible for 100% compatibility, including the fitment of tire and wheel sizes listed. The Tire and Wheel sizes listed in Fabtech's website are only a guideline for street driving with noted fender trimming. Fabtech is not responsible for damages to the vehicle's body or tires. Fabtech is not responsible for premature wear of factory components due to the installation of oversized tires and wheels.

Fabtech's obligation under this warranty is limited to the repair or replacement, at Fabtech option, of the defective product only. All costs of removal, installation or re-installation, freight charges, incidental or consequential damages are expressly excluded from this warranty. Fabtech is not responsible for damages and/or warranty of other vehicle parts related or non related to the installed Fabtech product. This warranty is expressly in lieu of all other warranties expressed or implied. This warranty shall not apply to any product that has been subject to accident, negligence, alteration, abuse or misuse as determined by Fabtech.

Fabtech suspension components must be installed as a complete system including shocks as shown on our website. All warranties will become void if Fabtech parts are combined and/or substituted with other aftermarket suspension products. Combination and/or substitution of other aftermarket suspension parts may cause premature wear and/or product failure resulting in an accident causing injury or death. Fabtech does not warrant products not manufactured by Fabtech.

Depending on the condition of the factory suspension components retained after the installation of a Fabtech suspension not all vehicles may have the same ride stance front to rear as described in the website. The blue color of suspension components shown in all Fabtech photographs are for display purposes only. Majority of all Fabtech components will be black specifically where noted with part numbers ending in BK.

Installation of Fabtech product may void the vehicles factory warranty; it is the consumer's responsibility to check with their local vehicle's dealer for warranty disposition before the installation of the product. Some state laws may prohibit modification of suspension to a vehicle in whole or in part. It is the responsibility of the installer and consumer to consult local laws prior to the installation of any Fabtech suspension product to comply with such written laws.

It is the responsibility of the distributor and/or the retailer to review all warranties and warnings of Fabtech products with the consumer prior to purchase.

Fabtech reserves the right to super cede, discontinue, change the design, finish, part number and/or application of parts when deemed necessary without written notice. Fabtech is not responsible for misprints or typographical errors within the website or price sheet. For the most recent Product Warranty and Warnings visit our website [www.fabtechmotorsports.com](http://www.fabtechmotorsports.com)