



4331 EUCALYPTUS AVE. CHINO, CA 91710
909-597- 7800 Fax 909-597- 7185

Installation Instructions

FTS92030

**2005 - 2016 0''- 4'' Ford 4WD Super Duty Adjustable Track
Bar**

PARTS LIST-

- 1 - FT30430BK Track Bar
- 1 - FT30414 Rod End
- 1 - FT30415 Adjuster Sleeve
- 1 - FT30429 Hardware Subassembly

FT30429 Hardware Subassembly

- 1 - Thread Lock
- 1 - FT30262-4 Sleeve
- 2 - FT30262-3 Bushing

FTS92031

**2005 - 2016 6''- 10'' Ford 4WD Super Duty Adjustable Track
Bar**

PARTS LIST-

- 1 - FT30413BK Track Bar
- 1 - FT30414 Rod End
- 1 - FT30415 Adjuster Sleeve
- 1 - FT30429 Hardware Subassembly

FT30429 Hardware Subassembly

- 1 - Thread Lock
- 1 - FT30262-4 Sleeve
- 2 - FT30262-3 Bushing

TOOLS-

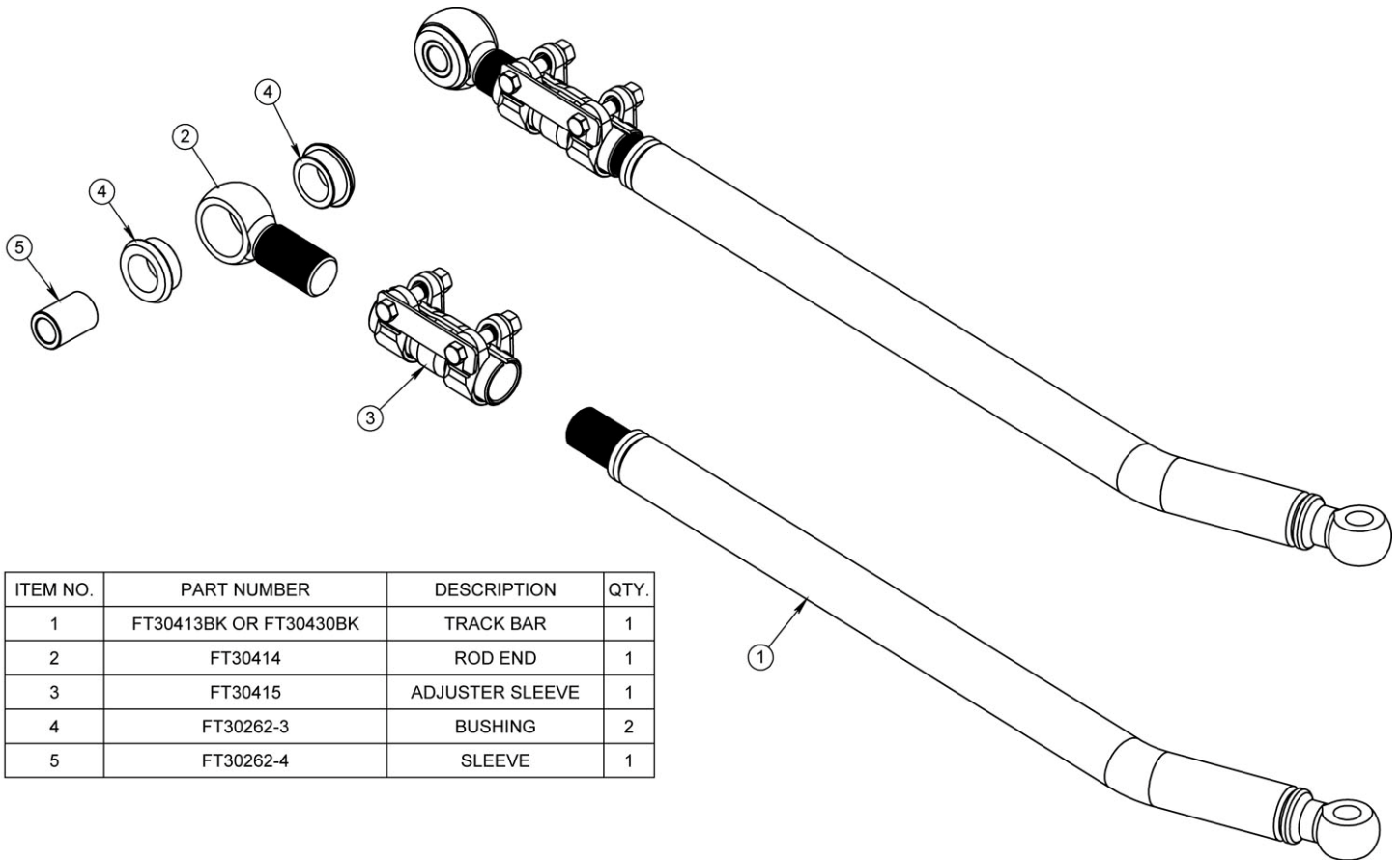
Assorted Metric & SAE Sockets & Wrenches
Torque Wrench, Jack, Jack Stands

READ ALL INSTRUCTIONS THOROUGHLY FROM START TO FINISH BEFORE BEGINNING INSTALLATION! IF THESE INSTRUCTIONS ARE NOT PROPERLY FOLLOWED, SEVERE FRAME DRIVELINE AND / OR SUSPENSION DAMAGE MAY RESULT.

CHECK FOR FRAME AND SUSPENSION DAMAGE PRIOR TO INSTALLTION. THIS KIT DOES NOT REQUIRE WELDING FOR INSTALLATION. DO NOT WELD ANY OF THESE COMPONENTS. THE INSTALLTION OF THIS KIT SHOULD BE PERFORMED BY A PROFESSIONAL MECHANIC.

INSTALLATION-

1. Locate the Fabtech Adjustable Track Bar and assemble the bar using the drawing below. Set the adjuster sleeve with 5/8" of thread showing on both sides of the adjuster sleeve.



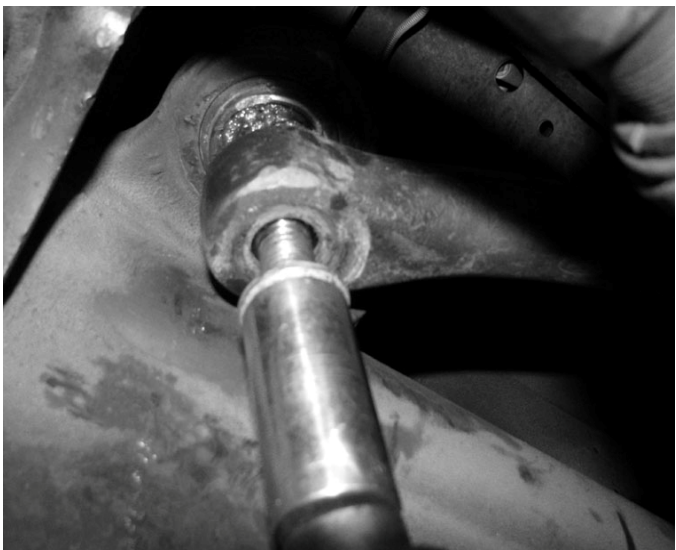
ITEM NO.	PART NUMBER	DESCRIPTION	QTY.
1	FT30413BK OR FT30430BK	TRACK BAR	1
2	FT30414	ROD END	1
3	FT30415	ADJUSTER SLEEVE	1
4	FT30262-3	BUSHING	2
5	FT30262-4	SLEEVE	1

2. With the vehicle on level ground set the emergency brake and block the rear tires. Jack up the front axle of the truck and support the frame rails with jack stands. **NEVER WORK UNDER AN UNSUPPORTED VEHICLE!**

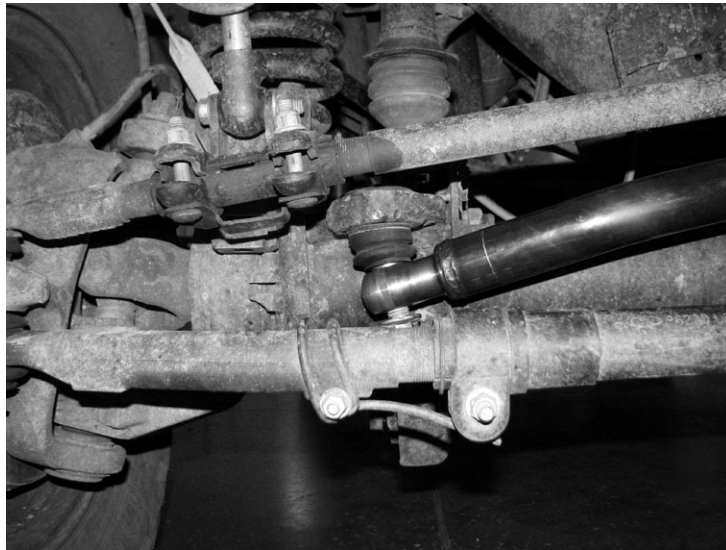
3. Locate and remove the upper bolt and nut from the stock Track Bar. To remove the Track Bar pivot bolt and nut, the front axle may have to be moved up or down to remove pressure from the Track Bar bushing. Retain the factory hardware. **SEE PHOTO BELOW.**



4. Locate the lower pivot ball joint assemble at the axle end of the track bar. Remove the nut attaching the bar to the ball joint in the axle. Retain the factory hardware and discard the factory Track Bar **SEE PHOTO BELOW.**



5. Install the New Fabtech adjustable Track Bar first at the lower pivot using thread lock and the factory nut. Tighten the nut to 183 ft-lbs. **SEE PHOTO BELOW**



6. Install the bushing end of the track bar into the drop bracket on the frame. Tighten to 406 ft-lbs. **SEE PHOTO BELOW**



7. Center the axle accordingly using the adjuster sleeve on the track bar. After all adjustments have been made lock down the adjuster sleeve with the cross bolts. It is important that the sleeve is locked down with cross bolts perpendicular to the diff cover. **SEE PHOTO BELOW**



8. After the track bar is installed it may be necessary to have vehicle Alignment performed

9. Trimming of the cross member may be necessary to avoid contact with the new track bar. **SEE PHOTO BELOW**



RETORQUE ALL NUTS, BOLTS AND LUGS AFTER 50 MILES AND PERIODICALLY THEREAFTER.

For technical assistance call: 909-597-7800

Product Warranty and Warnings-

Fabtech provides a Limited Lifetime Warranty to the original retail purchaser who owns the vehicle, on which the product was originally installed, for defects in workmanship and materials.

The Limited Lifetime Warranty excludes the following Fabtech items; bushings, bump stops, ball joints, tie rod ends, limiting straps, cross shafts, heim joints. These parts are subject to wear and are not considered defective when worn. They are warranted for 60 days from the date of purchase for defects in workmanship.

Coil over take apart shocks are considered a serviceable shock with a one year warranty on leakage only. Service seal kits are available separately for future maintenance. All other shocks are covered under our Limited Lifetime Warranty.

Fabtech does not warrant any product for finish, alterations, modifications and/or installation contrary to Fabtech's instructions. Alterations to the finish of the parts including but not limited to painting, powdercoating, plating and/or welding will void all warranties. Some finish damage may occur to parts during shipping which is considered normal and is not covered under warranty.

Fabtech products are not designed nor intended to be installed on vehicles used in race applications or for racing purposes or for similar activities. (A "RACE" is defined as any contest between two or more vehicles, or any contest of one or more vehicle against the clock, whether or not such contest is for a prize). This warranty does not include coverage for police or taxi vehicles, race vehicles, or vehicles used for government or commercial purposes. Also excluded from this warranty are sales outside of the United States of America.

Installation of most suspension products will raise the center of gravity of the vehicle and will cause the vehicle to handle differently than stock. It may increase the vehicle's susceptibility to a rollover, on road and off road, at all speeds. Extreme care should be taken to operate the vehicle safely at all times to prevent rollover or loss of control resulting in serious injury or death. Fabtech front end Desert Guards may impair the deployment or operation of vehicles equipped with supplemental restraining systems/air bag systems and should not be installed if the vehicle is equipped as so

Fabtech makes every effort to ensure suspension product compatibility with all vehicles listed in the catalog, but due to unknown auto manufacturers production changes and/or inconsistencies by the auto manufacturer, Fabtech cannot be responsible for 100% compatibility, including the fitment of tire and wheel sizes listed. The Tire and Wheel sizes listed in Fabtech's catalog are only a guideline for street driving with noted fender trimming. Fabtech is not responsible for damages to the vehicle's body or tires.

Fabtech's obligation under this warranty is limited to the repair or replacement, at Fabtech option, of the defective product only. All costs of removal, installation or re-installation, freight charges, incidental or consequential damages are expressly excluded from this warranty. Fabtech is not responsible for damages and/or warranty of other vehicle parts related or non related to the installed Fabtech product. This warranty is expressly in lieu of all other warranties expressed or implied. This warranty shall not apply to any product that has been subject to accident, negligence, alteration, abuse or misuse as determined by Fabtech.

Fabtech suspension components must be installed as a complete system including shocks as shown in our current catalog. All warranties will become void if Fabtech parts are combined and/or substituted with other aftermarket suspension products. Combination and/or substitution of other aftermarket suspension parts may cause premature wear and/or product failure resulting in an accident causing injury or death. Fabtech does not warrant products not manufactured by Fabtech.

Installation of Fabtech product may void the vehicles factory warranty; it is the consumer's responsibility to check with their local vehicle's dealer for warranty disposition before the installation of the product.

It is the responsibility of the distributor and/or the retailer to review all warranties and warnings of Fabtech products with the consumer prior to purchase.

Fabtech reserves the right to supercede, discontinue, change the design, finish, part number and, or application of parts when deemed necessary without written notice. Fabtech is not responsible for misprints or typographical errors within the catalog or price sheet.